



TCB 1150

The TCB 1150 glass cutting system offers low- to mid-volume fabricators the flexibility to load glass, cut glass and breakout glass at an all-in-one platform.

Processing Capabilities

Maximum Glass Size: 72" x 96"

Glass Thickness Range: 2.2–19mm

Bridge and Head Drive: Rack and Pinion

Volume: Low to Mid

Technical Specifications

Table Height: 36"

Cut Path Tolerance: ± 0.015 "

Electrical Requirement: 480V 3ph 60Hz

Industries

Architectural, Shower Doors, Specialty

**TILT LOADING FOR
GLASS UP TO 19mm**

**COMPACT,
ALL-IN-ONE DESIGN**

**AFFORDABLE,
PRACTICAL PRICE
POINT**

[More Key Advantages and Outstanding Features >](#)



TCB 1150 Shown in Stationary Position



TCB 1150

Key Advantages

Free Fall Loading: Free fall glass up to 6mm thick directly onto the cutting table

Tilt Loading: Tilting table feature allows for loading glass up to 19mm thick

Compact All-In-One Design: Minimizes floor space requirements

Affordable: Practical price point for an industrial duty automated cutting system

Integrated Breaker Bars: Built into the cutting table

Outstanding Features

Advanced Cutting Wheel Guidance System

Pressurized Cutting Oil System

True CNC Control System

Servo Controlled Cutting Head

BatchBan Optimizer included

Common Optional Features

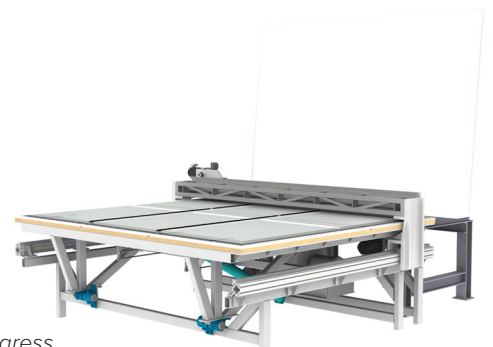
Breakout Display Package

BatchBan Optimization Software

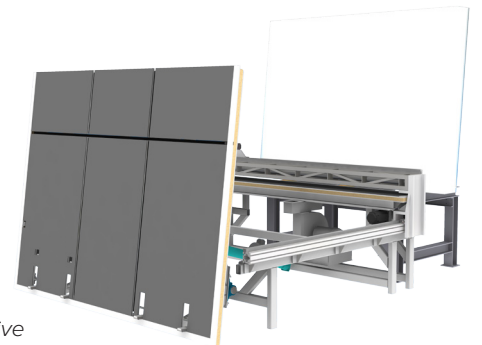
Supporting Equipment

Air Float Load Tables

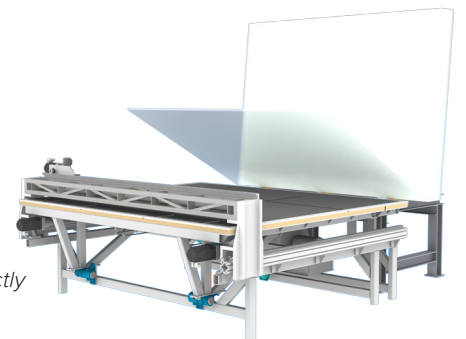
Air Float Breakout Tables



*Cutting in Progress
Followed by Manual Breakout*



*Tilting to Receive
Glass up to 19mm*



*Free Fall Glass
up to 6mm Directly
Onto Table*

ON CALL

24 | 7 | 365

Billco Services

Billco provides the backbone for flat glass production lines—large and small—with high quality American-made equipment and 24-7-365 never-fail relationships. Our stability and expertise is proven with high customer satisfaction ratings, uptime statistics, impressive ROI, and a multi-million dollar inventory of ready-to-ship replacement parts. Our Solution Specialists, 24-7-365 Technical Support, and Replacement Parts Team are fully dedicated to keeping your line moving. Call or visit our website for more information.



724.452.7390
SOLUTIONS@BILLCO-MFG.COM
BILLCO-MFG.COM

R8.2017