



Billco
MOVING GLASS FORWARD.

WASHING CUTTING LAMINATING LOADING & STORAGE HANDLING INSULATING

SUPER EV

The Super EV is ideal for low- to mid-volume fabricators wishing to automate glass cleaning with a low capital investment and a small floor footprint.

Processing Capabilities

Conveyor Width(s): 72"

Minimum Glass Size: 4" x 12"

Glass Thickness: 2.2–19mm

Standard Operating Speed: 18 FPM

Volume: Mid

Technical Specifications

Working Height: 23"

Lift System: NA

Orientation: Vertical

Industries

Architectural,
Shower Doors,
Specialty

COMPACT,
AFFORDABLE
DESIGN

REDUCED
WATER
CONSUMPTION

DEBRIS REMOVAL
ZONE INCLUDED

[More Key Advantages and Outstanding Features >](#)



724.452.7390

SOLUTIONS@BILLCO-MFG.COM

BILLCO-MFG.COM

SUPER EV

Key Advantages

- Compact Design: Ideal for off-line processing or limited floor space
- Affordable: Practical price point for automated glass cleaning
- Open Top Design: Single pass cleaning up to 72" or larger lites possible with double pass
- Stainless Steel Construction: Includes frame and all major components for enhanced corrosion resistance
- Reduced Water Consumption

Outstanding Features

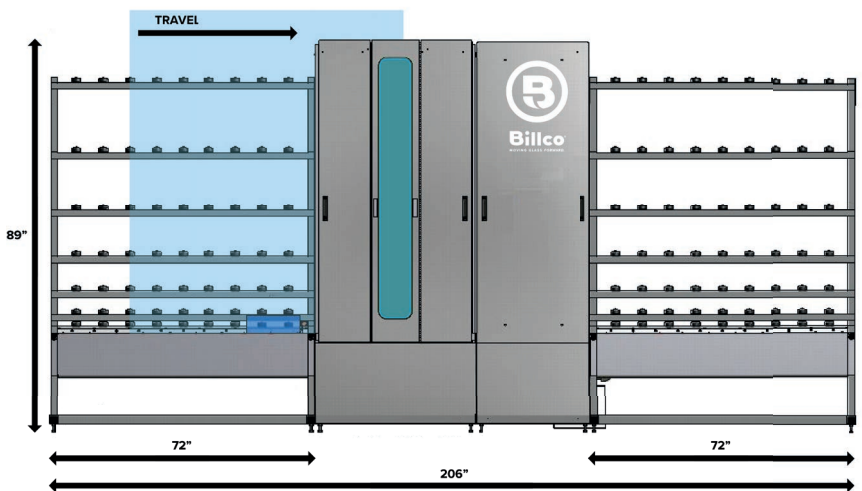
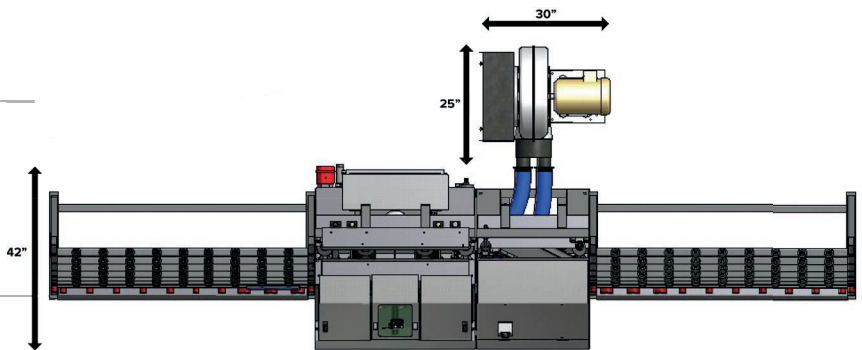
- Stainless Steel Frame in Wash and Drying Zones
- PLC Control with HMI Touchscreen
- Low E Compatible
- Debris Removal Zone Included
- Two Tank System

Common Optional Features

- Driven Conveyors
- Inspection Lighting

Supporting Equipment

- BioClean Water Care System
- Detergent Dosing System
- Overhead Drain Pumping System
- Reverse Osmosis Water Generating System



ON CALL

24 | 7 | 365

Billco Services

Billco provides the backbone for flat glass production lines—large and small—with high quality American-made equipment and 24-7-365 never-fail relationships. Our stability and expertise is proven with high customer satisfaction ratings, uptime statistics, impressive ROI, and a multi-million dollar inventory of ready-to-ship replacement parts. Our Solution Specialists, 24-7-365 Technical Support, and Replacement Parts Team are fully dedicated to keeping your line moving. Call or visit our website for more information.



724.452.7390

SOLUTIONS@BILLCO-MFG.COM

BILLCO-MFG.COM

R11.2018